

Digital Laser Doppler Vibrometer

Nova-Series



SWIR Single-Point Laser Vibrometer

Vibrometry in the short-wave infrared range for maximum signal-to-noise ratio. Delivers best signal quality for dark or rough surfaces, biological tissue, as well as long working distances.



IDEAL FOR

- Dark / rough surfaces
- Very high-frequency vibrations
- Biological surfaces
- Moving or rotating objects
- High speed vibrations up to 30 m/s
- Long distance measurements

HIGH-END AND BEST-PERFORMANCE

The Nova Series Laser Vibrometer operates with an invisible SWIR laser (1550 nm). At a wavelength of 1,550 nm, ten times the laser power of a HeNe system is available for measurements without compromising the eye safety.

The Nova Series comes in when maximum dynamic range is required or every decibel of signal level counts. Typical use cases are surfaces that poorly reflect visible light, for example dark and rough surfaces or biological tissue. A high signal strength is also of vital importance for measurements over long distances, e.g. in civil engineering or aerospace.

Technical Data

Measured Quantities – Performance Parameters

Max. ² Frequency	Max. ² Velocity	Best Vel. ¹ Resolution	Max. ^{2,3} Displacement	Best Disp. ^{1a} Resolution	Max. ^{2,3} Acceleration	Best Accel. ¹ Resolution
25 MHz	30 m/s	1.7 nm s ⁻¹ /√Hz	±1.225 m	0.05 pm /√Hz	78.4 Mg	1.8μg /√Hz

¹ The Resolution is defined as the signal amplitude (rms) corresponding to a signal-to-noise ratio (SNR) of 0dB with 1 Hz spectral resolution at 50 % f_{max} of smallest measurement range.

^{1a} The Resolution is defined as the signal amplitude (rms) corresponding to a signal-to-noise ratio (SNR) of 0dB with 1 Hz spectral resolution.

² Actual specifications depend on the configured decoder.

³ Optional available

Measurement Specifications

Measured quantities	Velocity, displacement, acceleration
Frequency bandwidth ²	0 Hz - 25 MHz
Max. velocity ²	30 m/s
Velocity measurement ranges ²	15
Signal processing	Digital (FPGA based)
Source impedance	50 Ohm
Analog signal output	3 × BNC, ±2 V - Velocity, displacement ³ , acceleration ³ , signal generator ³ - Data rate: 160 MSamples/s @ 16-bit
Digital Signal Output & PC-Interface	1 Gbit RJ45 Ethernet: - Data rate: 1 GBit (53.3 MSamples/s @ 16-bit) - Digital data acquisition- and analysis software <i>OptoGUI</i> - Digital remote control of device settings
External Trigger	Digital external trigger in/out via SMB
Filter	High-pass filter: off / 10 / 20 / 40 / 80 / 160 / 320 / 640 Hz 1.28 / 2.56 / 5 / 10 / 20 / 40 / 80 / 160 kHz (0.16 / 7 / 50 Hz) ⁴ Low-pass filter: off / 2.5 / 5 / 10 / 20 / 50 / 100 kHz Tracking filter: off / slow / fast

⁴ For Sense Remote decoder

Optical Specifications

Working distances	Variable working distance from 6 mm to >300 m
Laser wavelength	Measurement laser: 1550 nm, Target laser: 510-530 nm
Laser safety class	Measurement laser: output power: <10 mW, class 1 Target laser: output power: <1 mW, class 2
Optics	Auto-, remote-, and manual focussing

³ Optional available

General Device Specifications

User interface output	Color screen 3.5" + 20 segment LED bargraph
User interface input	Touch screen, knobs with push-button, key switch (power)
Operating temperature	0 to 40°C
Storage temperature	-10°C to 65°C
Relative Humidity	max. 80%, non-condensing
Dimensions	Length × width × height (excluding handle and lens): 380 × 180 × 148 mm
Weight	8 kg + objective lens
Power supply	100 - 240 V AC (50-60Hz) or 12 V DC
Portable Operation	Possible
Portable power supply	12 V DC portable charger ³
Integrated signal generator ³	- Produce various preset functions (sin, chirp, gaussian, ...) - Import of arbitrary functions and audio wave-files
Calibration interval	Every 12 month (recommended)

Model Options - Decoders^{5,6}

⁵For details see decoder data-sheets. ⁶Variations from displayed models available on request.

Overview Model Options and Characteristics of the default Velocity Decoder⁷

Model (Decoder)	Description	Measuring Ranges ⁵	Max. Velocity	Frequency Bandwidth
Start (D-VD-0N)	Entry model.	7	2.5 m/s	0 Hz – 100 kHz
Basis (D-VD-1N)	Versatile model with high resolution ⁸	8	5 m/s	0 Hz – 500 kHz
Sense (D-VD-2N)	Smallest measurement range ± 2.45 mm/s and highest resolution ⁹	11	5 m/s	0 Hz – 1 MHz
Sense Remote (D-VD-2N-R)	Sense features + extra low disp.-HPF 0.16 / 7 / 50 Hz (measure building vibrations, etc.).	11	5 m/s	0 Hz – 25 kHz
Sense Speed (D-VD-2N-12)	Sense features + additional measurement range at ± 12 m/s.	12	12 m/s	0 Hz – 1 MHz
High Speed (D-VD-3N)	Supports measurements up to highest velocities.	11	25 m/s	0 Hz – 2.5 MHz
Ultra High Speed (D-VD-3N-30)	Supports measurements up to highest velocities.	12	30 m/s	0 Hz – 2.5 MHz
High Frequency (D-VD-4N)	Supports measurements up to highest frequencies.	9	12 m/s	0 Hz – 10 MHz
Master (D-VD-5N)	The all-rounder: Includes all Sense, High Speed, and High Frequency features.	14	25 m/s	0 Hz – 10 MHz
Master+ (D-VD-5N-25)	Includes all Master features and has an additional super-high frequency upgrade	14	25 m/s	0 Hz – 25 MHz ¹⁰
Master++ (D-VD-5N-30)	Includes all Master features and has an additional super-high frequency upgrade	15	30 m/s ^{10a}	0 Hz – 25 MHz ¹⁰

⁷ All models feature by default a velocity decoder and optionally displacement and acceleration decoders

⁸ Best velocity res.: 12 nm s⁻¹ / √Hz

⁹ Best velocity res.: 1.7 nm s⁻¹ / √Hz

¹⁰ Velocity limited to 1 m/s at frequencies above 10 MHz

^{10a} Frequency limited to 100 kHz at velocity 30 m/s

Characteristics of the optional Displacement Decoder⁷

Decoder	Required Vel-Decoder	Number Measuring Ranges ⁵	Smallest Range ¹¹	Largest Range	Frequency Bandwidth
D-DD-0N	D-VD-0N	19	±122.5 nm	±122.5 mm	0 Hz – 100 kHz
D-DD-1N	D-VD-1N	19	±122.5 nm	±122.5 mm	0 Hz – 500 kHz
D-DD-2N	D-VD-2N	19	±122.5 nm	±122.5 mm	0 Hz – 1 MHz
D-DD-2N-R	D-VD-2N-R	19	±122.5 nm	±122.5 mm	0 Hz – 25 kHz
D-DD-2N-12	D-VD-2N-12	19	±122.5 nm	±122.5 mm	0 Hz – 1 MHz
D-DD-3N	D-VD-3N	19	±122.5 nm	±122.5 mm	0 Hz – 2.5 MHz
D-DD-3N-30	D-VD-3N-30	19	±122.5 nm	±122.5 mm	0 Hz – 2.5 MHz
D-DD-4N	D-VD-4N	19	±122.5 nm	±122.5 mm	0 Hz – 10 MHz
D-DD-5N	D-VD-5N	19	±122.5 nm	±122.5 mm	0 Hz – 10 MHz
D-DD-5N-25	D-VD-5N-25	19	±122.5 nm	±122.5 mm	0 Hz – 25 MHz ¹⁰
D-DD-5N-30	D-VD-5N-30	19	±122.5 nm	±122.5 mm	0 Hz – 25 MHz ¹⁰

¹¹ Best displacement resolution: 0.05 µm.

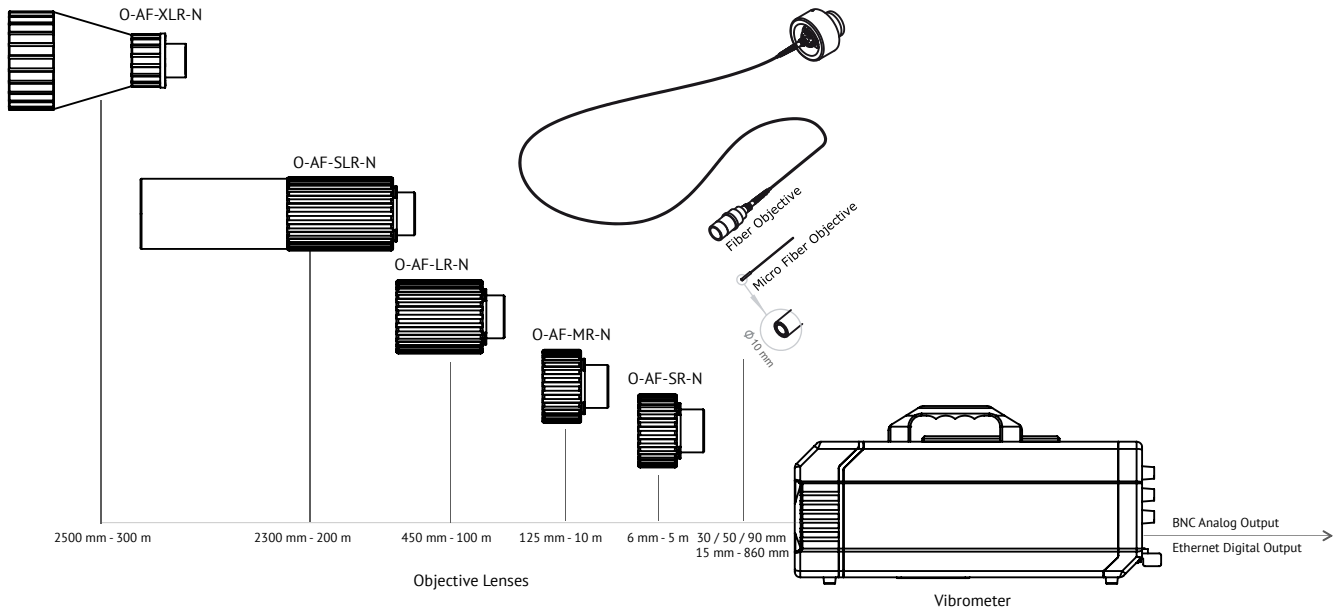
Characteristics of the optional Acceleration Decoder⁷

Decoder	Required Vel-Decoder	Number Measuring Ranges ⁵	Smallest Range ¹²	Largest Range	Frequency Bandwidth
D-AD-0N	D-VD-0N	7	±392 g	±0.16 Mg	0 Hz – 100 kHz
D-AD-1N	D-VD-1N	8	±392 g	±1.6 Mg	0 Hz – 500 kHz
D-AD-2N	D-VD-2N	11	±3.9 g	±3.2 Mg	0 Hz – 1 MHz
D-AD-2N-R	D-VD-2N-R	11	±3.9 g	±80 kg	0 Hz – 25 kHz
D-AD-2N-12	D-VD-2N-12	12	±3.9 g	±7.6 Mg	0 Hz – 1 MHz
D-AD-3N	D-VD-3N	11	±392 g	±40 Mg	0 Hz – 2.5 MHz
D-AD-3N-30	D-VD-3N-30	12	±392 g	±40 Mg	0 Hz – 2.5 MHz
D-AD-4N	D-VD-4N	9	±392 g	±76.8 Mg	0 Hz – 10 MHz
D-AD-5N	D-VD-5N	14	±3.9 g	±78.4 Mg	0 Hz – 10 MHz
D-AD-5N-25	D-VD-5N-25	14	±3.9 g	±78.4 Mg	0 Hz – 25 MHz ¹³
D-AD-5N-30	D-VD-5N-30	15	±3.9 g	±78.4 Mg	0 Hz – 25 MHz ¹³

¹² Best acceleration resolution: 1.8 µg / √Hz.

¹³ Acceleration limited to 15.3 Mg at frequencies above 10 MHz.

Set-up



Standard Objective lens

Specification	Short-Range Autofocus O-AF-SR-N	Mid-Range Autofocus O-AF-MR-N	Long-Range Autofocus O-AF-LR-N	Super-Long Range Autofocus O-AF-SLR-N
Focal length (mm)	25	50	100	200
Min. stand-off distance (mm) ¹⁴	6	125	450	2300
Min. Spot size in μm	25	43	67	245
Working distance ¹⁴	6 mm ... 5 m	125 mm ... 10 m	450 mm ... 100 m	2.3 m ... 200 m

Objective lens for Extra-Long distance (O-AF-XLR-N)

Stand-off distance ¹⁴ (m)	Laser spot diameter (μm)	Depth-of-field (mm)
2.49	170	± 15
3.79	240	± 29
6.48	440	± 98
10.2	480	± 117
20.5	970	± 477
48.5	2600	± 3425

With each additional
meter plus [μm]

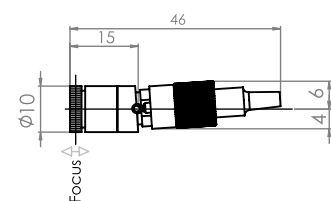
+ 55

-

Fiber Objective lens

Specification	M-F-OBJ Micro Fiber Objective	F-OBJ Fiber Objective
Min. stand-off distance (mm) ¹⁴	15	30 / 50 / 90
Spot size in μm at:		
15 mm	28	
30 mm		5.8
35 mm	70	
50 mm		8.8
90 mm	200	12.9
200 mm	440	
860 mm	1800	








M-F-OBJ Micro Fiber Objective



¹⁴ Measured from the front of the objective lens

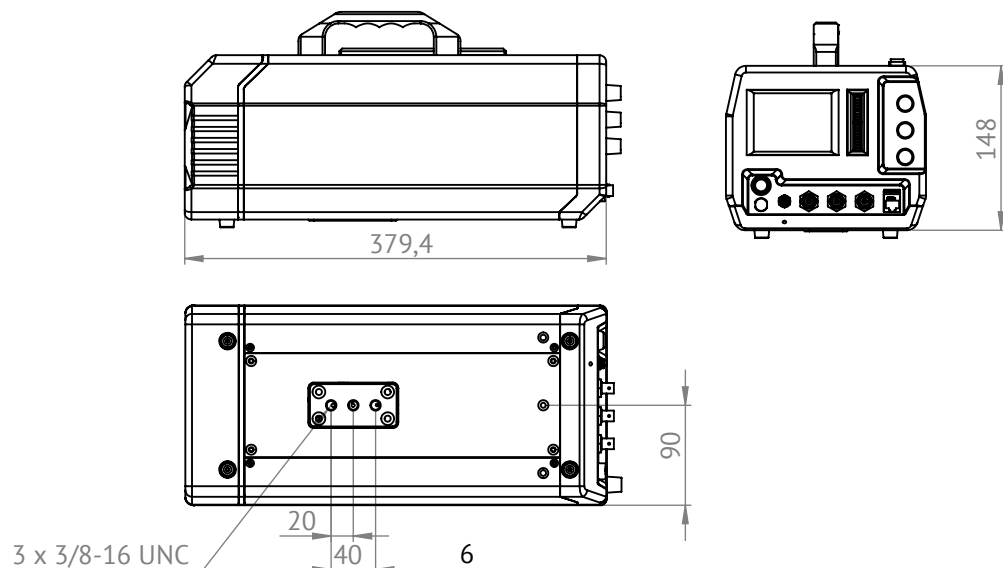
Accessories

^S Standard included, ^O Optional available

	<p>Transport Case for Single Point Vibrometer Stable and waterproof <i>Peli</i> case for safe keeping and transport of vibrometer. External dimension (L x B x H): 61.9 x 49.2 x 22.3 cm</p>	S
	<p>Transport Bag Compact und light transport bag for outdoor measurements or transport as carry-on baggage in an plane.</p>	O
	<p>Telescope For measurements from a greater distance, a telescope makes it easier to find the measuring point. The telescope can be easily mounted on the gauge rail at the top of the vibrometer.</p>	O
	<p>IR-Camera For digital visualizing of the laser point. The camera can be easily mounted on the gauge rail at the top of the vibrometer.</p>	O
	<p>IR-Detector Card Transforming the not-visible infrared light into a spot of visible light.</p>	S
	<p>Mobile Battery¹⁵ Portable battery charger, external battery power bank. For powering the vibrometer when performing outdoor measurements.</p>	O
	<p>Tripod with Fluid Head Precisely align your vibrometer with high quality tripods by <i>Manfrotto</i>.</p>	O

¹⁵Adapter cable for different recommended battery models available

Dimension of the Vibrometer





Software



OptoGUI Analysis Software

Software for data acquisition, analysis and remote control. Live animation of measured time and frequency data.

0

OptoGUI software features

Remote control	Remotely control all vibrometer settings via ethernet.	S
Read-out	Read out data via ethernet with up to 80 MS/s	S
Time data	Live animation of measured vel./disp./accel. data	S
Export data	Export time and fft data as .csv, .h5, .wav or .mat files	S
Fourier-Transformation	-Real-Time Fast Fourier Transformation -up to 536 Mio. FFT lines	S
Peak identification	Automatically identify signal peaks in the frequency spectrum	S
Spectrogram	Show a live Spectrogram of the FFTs of the ongoing measurements	S
Fourier boundaries	Limit live FFT-calculation to certain time ranges of the time data	S
Signal trigger	Trigger your measurement with the vel., disp., or accel. signal	S
External trigger	Trigger your measurement with an external TTL signal (3.3 V)	0
Multiple traces	Record and recall multiple traces of the vel./disp./accel. time data	S
Arbitrary signal generator	Import file formats: .csv ASCII- or .wav audio files Pre-defined signals: sin, rectangle, chirp, random, ...	0
Operating system	Compatible with Windows 10 / 11	S

Maintenance Specials

Warranty

Warranty	12 months	S
Warranty extension	Extension of standard warranty to 24 months	0

Software Updates

Software maintenance	Free software updates within warranty period	S
Extended maintenance	Additional extension of software updates by 12+ months	0

Hardware Maintenance

Hardware Maintenance	Free hardware maintenance within warranty period	S
Extended maintenance	Additional extension of hardware maintenance by 12+ months	0
Recalibration & cleaning	Check, cleaning & realignment of optical parts, check of laser output power, perform factory calibration	0

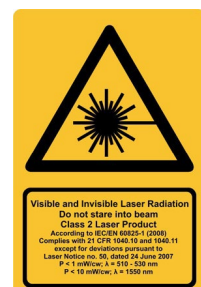
Laser product label

DO NOT STARE INTO BEAM Class 2 Laser Product

Laser CLASS 1: invisible, $\lambda = 1550$ nm, output power: < 10 mW

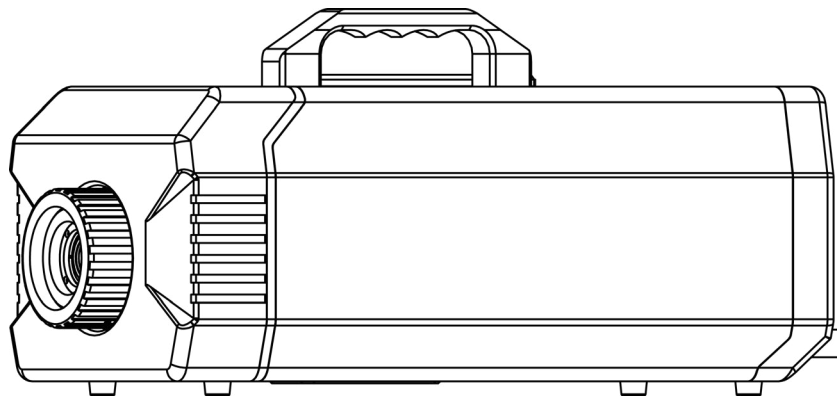
Laser CLASS 2: visible, green laser beam, $\lambda = 510-530$ nm,

output power: < 1 mW



DIGITAL LASER DOPPLER VIBROMETER

optomet.
LASER VIBROMETRY



CONTACT US

Optomet GmbH | Pfungstaedter Strasse 92
64297 Darmstadt | Germany
Phone +49(0)6151-38432-0 | sales@optomet.de
www.optomet.com